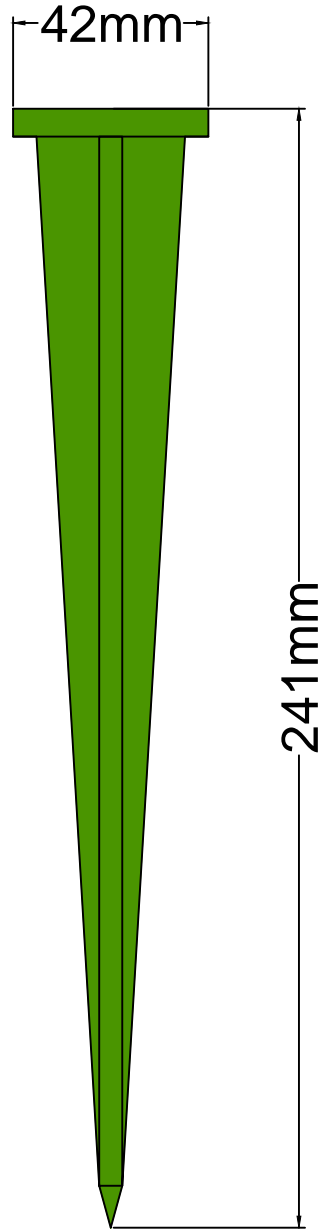
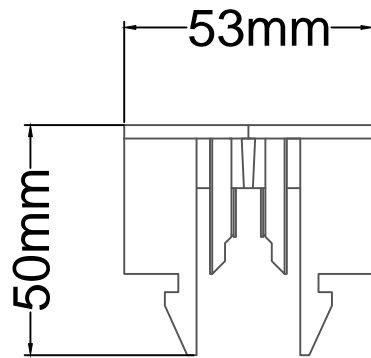


Demarkation for parking spaces via plastic inserts.



Golpla pins are used to fix pavers whilst roots establish (3 pins per 2m²)